

37-6.1HS-BL2

Wall Mounted Shower with Hand Shower

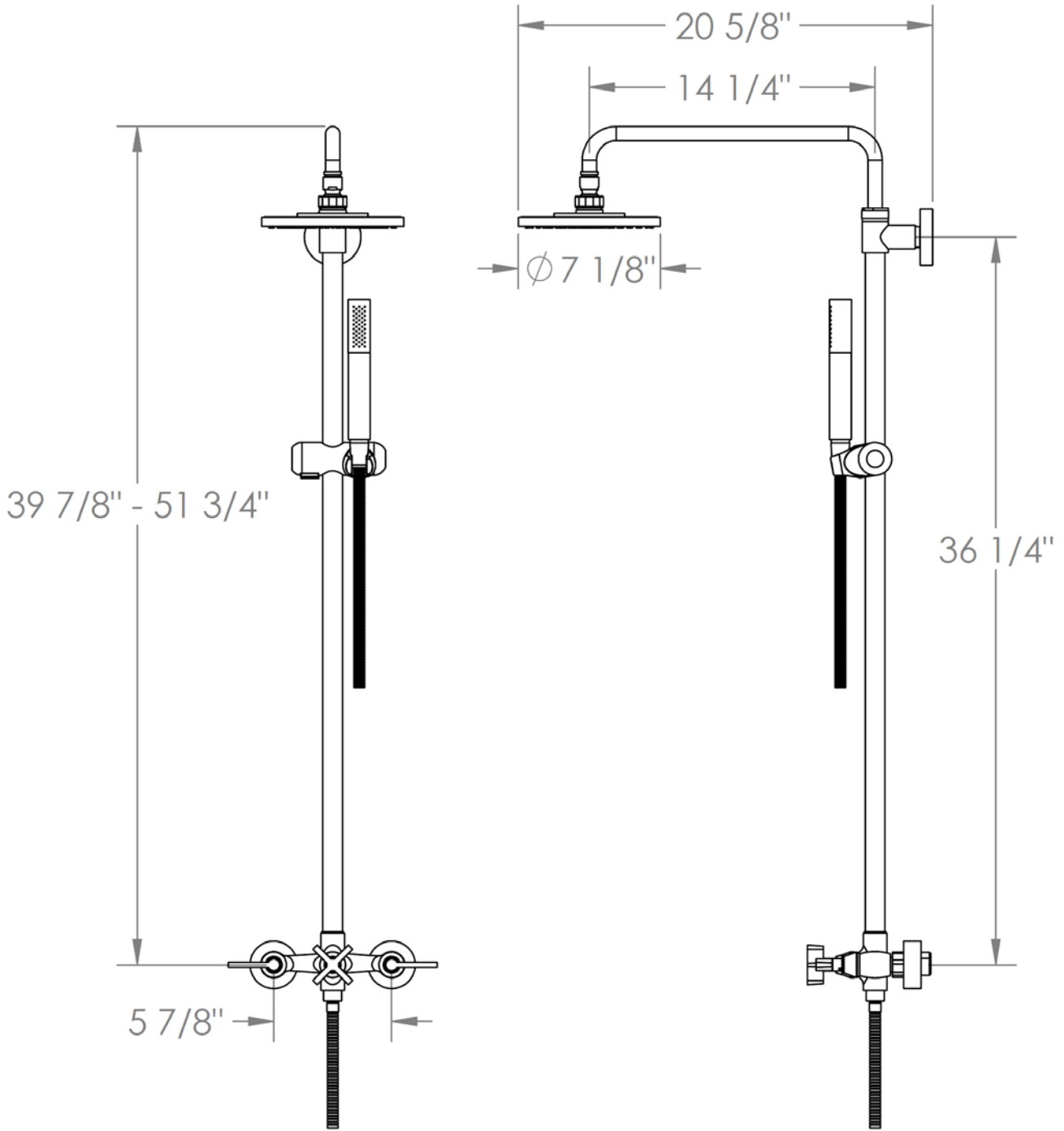
Flow Rate: 2.0 GPM



Meets the applicable requirements of ASME A112.18.1-2005/CSA B125.1-05, entitled "Plumbing Supply Fittings"

37-6.1HS-BL2

Wall Mounted Shower with Hand Shower
Flow Rate: 2.0 GPM



Meets the applicable requirements of ASME A112.18.1-2005/CSA B125.1-05, entitled "Plumbing Supply Fittings"

37-6.1HS-BL3

Wall Mounted Exposed Shower Set with Hand Shower

Flow Rate: 1.75 GPM

Note: Some building codes may require remote pressure balance valve for anti-scald



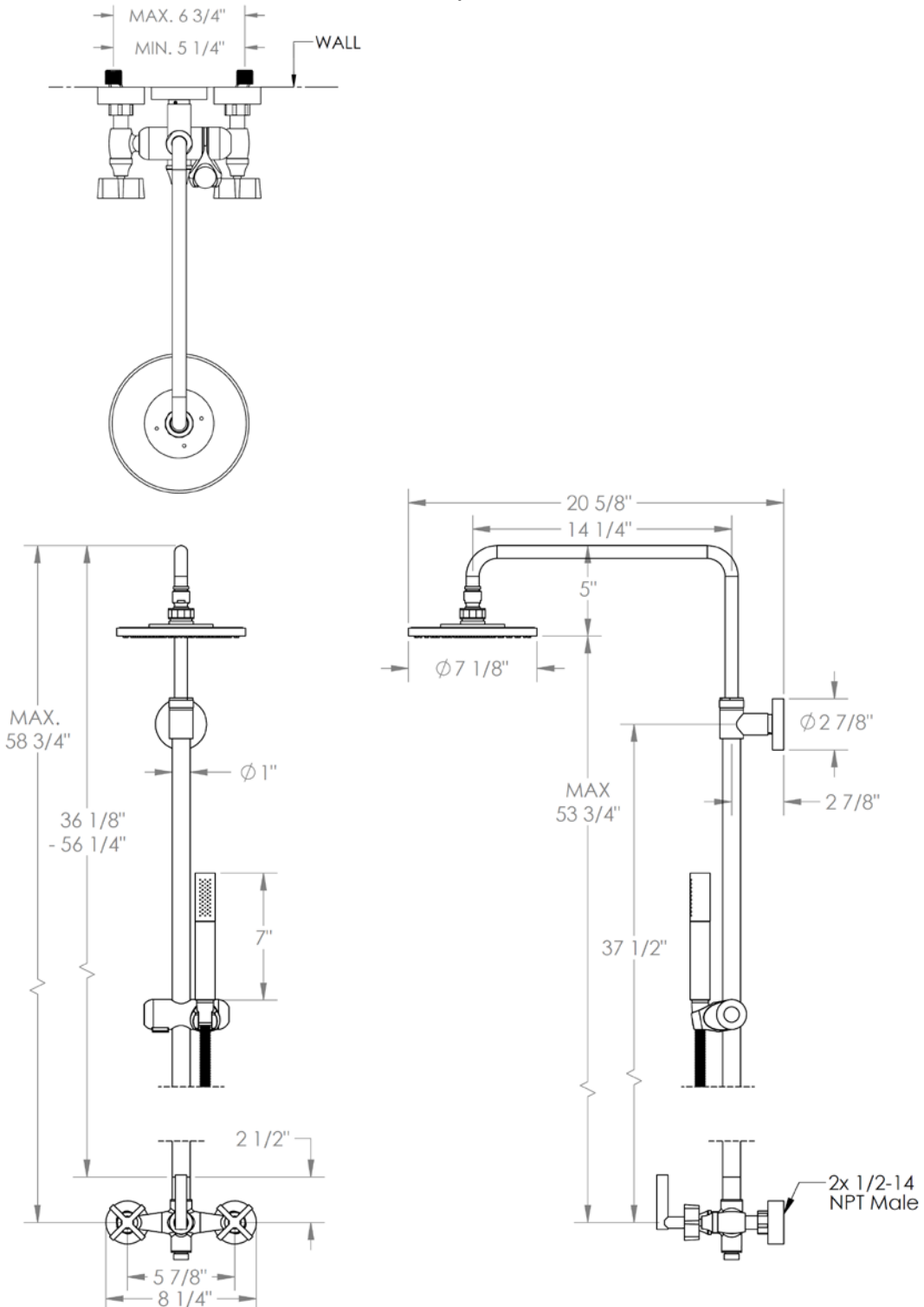
Meets the applicable requirements of ASME A112.18.1-2005/CSA B125.1-05, entitled "Plumbing Supply Fittings"

37-6.1HS-BL3

Wall Mounted Exposed Shower Set with Hand Shower

Flow Rate: 1.75 GPM

Note: Some building codes may require remote pressure balance valve for anti-scald



Meets the applicable requirements of ASME A112.18.1-2005/CSA B125.1-05, entitled "Plumbing Supply Fittings"